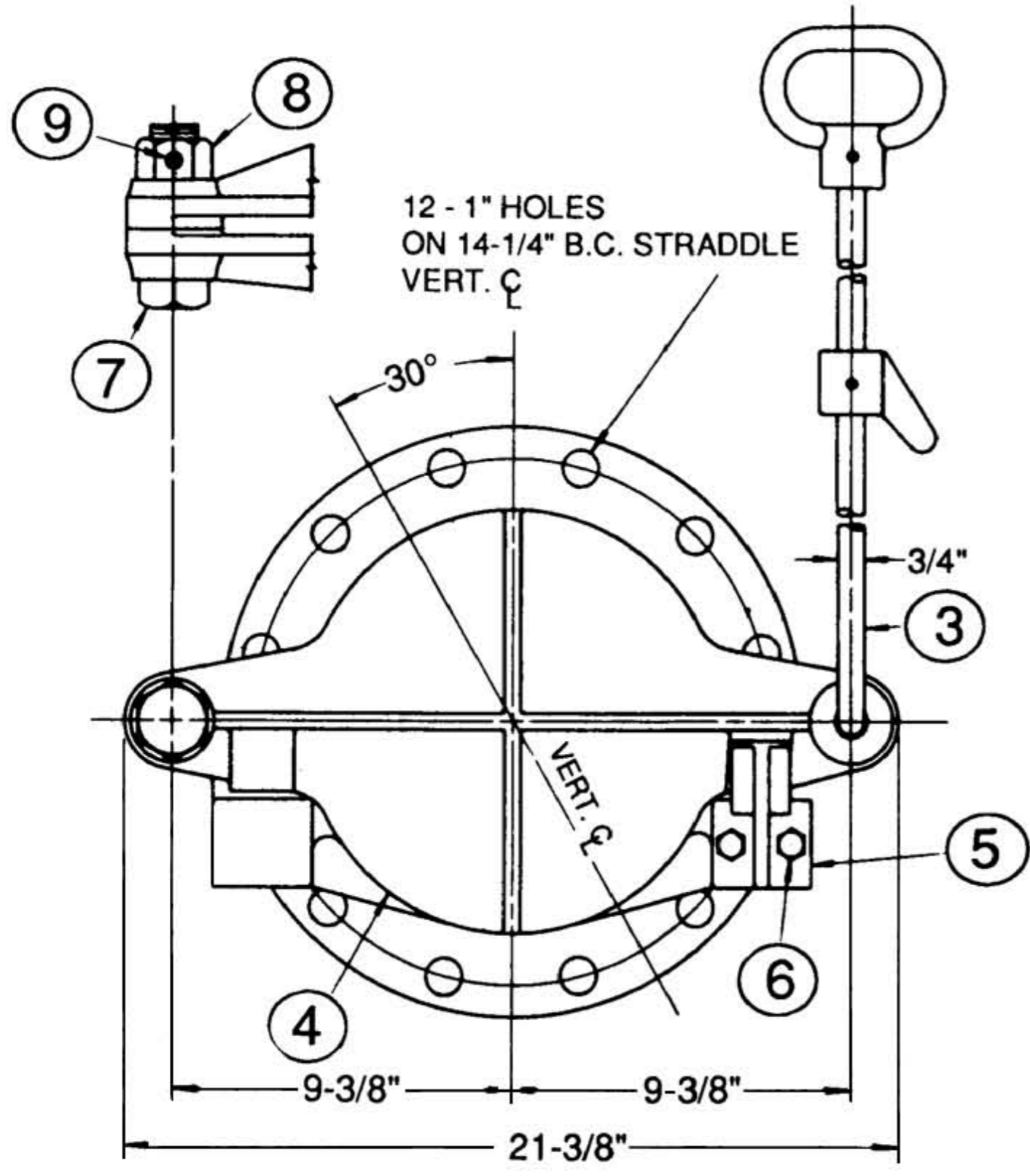


DWG. NO. E-3352 10" A-2520-6 SHEAR GATE - FLANGE END - SINGLE WEDGE

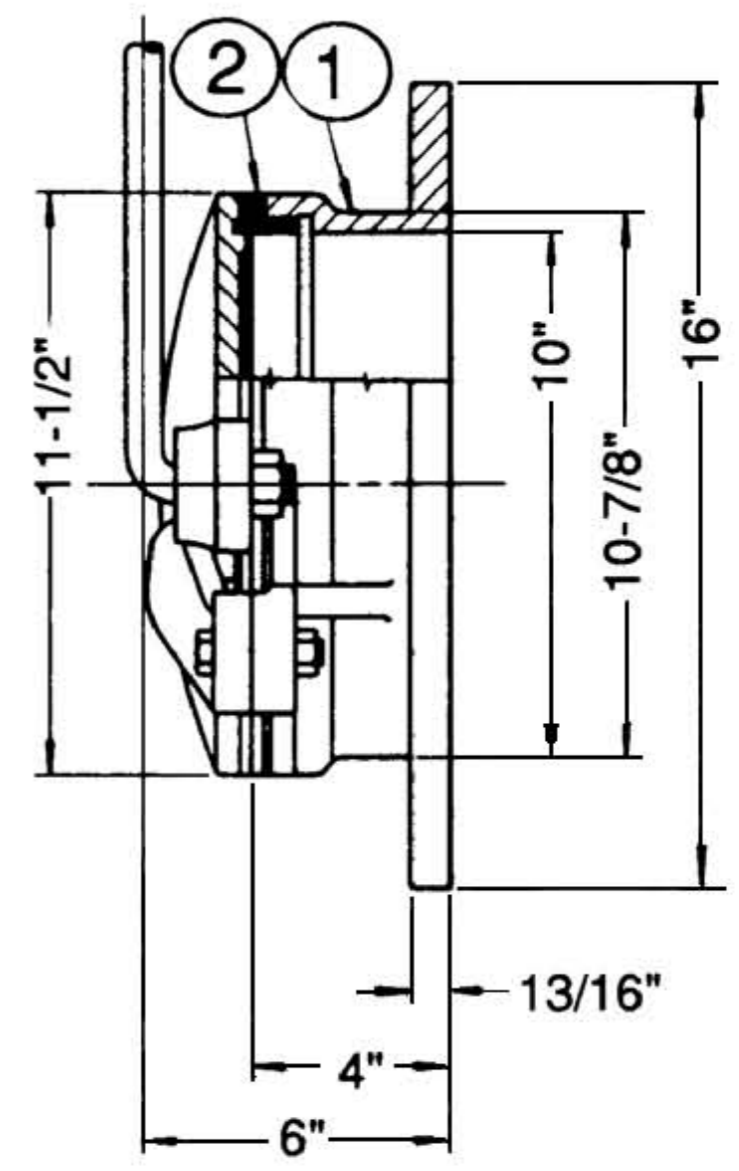


FURNISHED WITH TWO FOOT LIFT HANDLE AND CATCH (A-25215)

LONGER LIFT HANDLE FURNISHED WHEN SPECIFIED

REPLACES DWG. NO. E-3352 BY E.M.M. 6-19-40

PARTS LIST					
ITEM	DESCRIPTION	REQ'D.	MATERIAL	ASTM	
1	BODY	1	CAST IRON	A126	CL. B
2	SEAT RING	1	BRONZE	B62	
3	LIFT HANDLE	1	STEEL	A107	GR.-III15
4	DISC W/ BR. DISC RING	1	CAST IRON	A126	CL. B
5	RIGHT HAND WEDGE	1	CAST IRON	A126	CL. B
6	WEDGE BOLT	2	STEEL		ASA B18.2
7	HINGE BOLT	1	BRONZE	B62	
8	HINGE BOLT NUT	1	BRONZE	B62	
9	SET SCREW	1	STEEL		PLATED



ORTON 6-14-65  
ZFR 6-8-66  
RLR 6-8-66  
ZFR 6-8-66

**TROY VALVE**  
TROY, PA.

10" SHEAR GATE • FLANGE END • SINGLE WEDGE

A-2520-6 E-3352