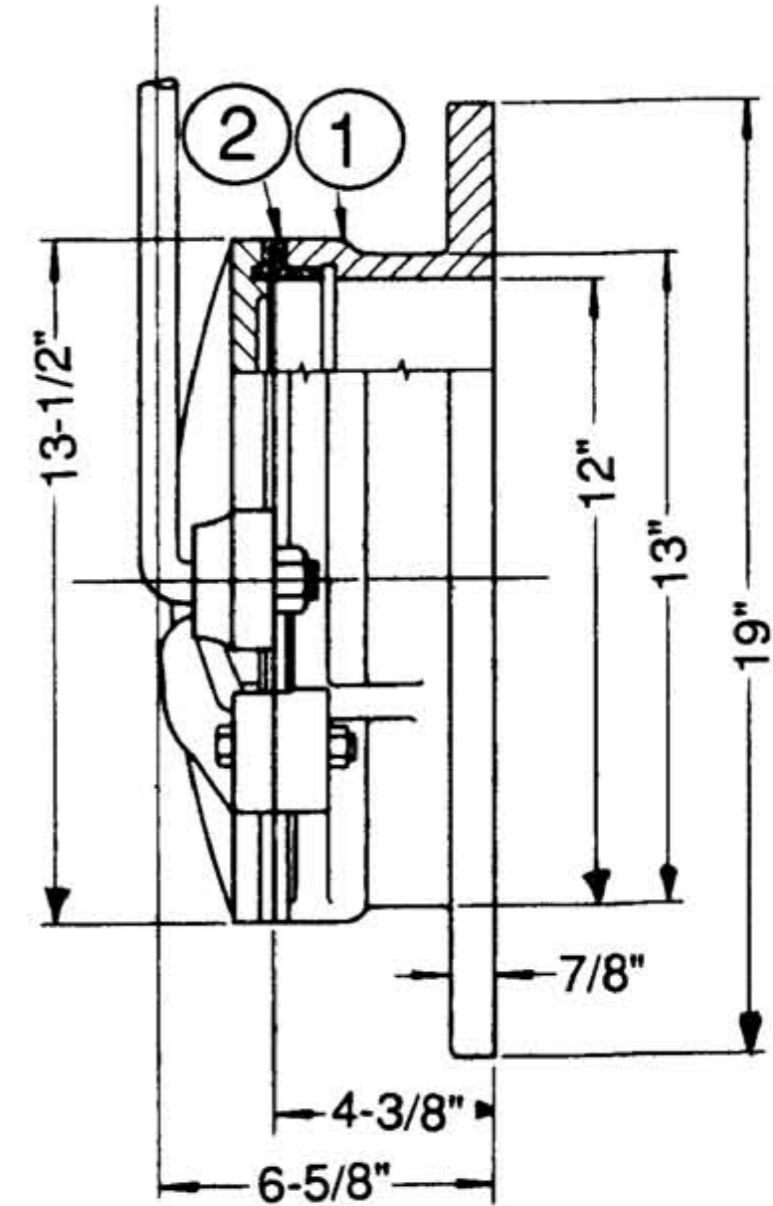


FURNISHED WITH TWO FOOT LIFT  
HANDLE AND CATCH (A-25215)

LONGER LIFT HANDLE  
FURNISHED WHEN SPECIFIED

PARTS LIST					
ITEM	DESCRIPTION	REQ'D	MATERIAL	ASTM	
1	BODY	1	CAST IRON	A126	CL.B
2	SEAT RING	1	BRONZE	B62	
3	LIFT HANDLE	1	STEEL	A107	GR.-III5
4	DISC W/BR. DISC RING	1	CAST IRON	A126	CL.B
5	WEDGE BOLT	2	STEEL		ASA B18.2
6	RIGHT HAND WEDGE	1	CAST IRON	A126	CL.B
7	HINGE BOLT	1	BRONZE	B62	
8	HINGE BOLT NUT	1	BRONZE	B62	
9	SET SCREW	1	STEEL		PLATED



ELLIS 6-21-65  
ORTON 6-8-66  
RLR 6-8-66  
ZFR 6-8-66

**TROY VALVE** 12" SHEAR GATE • FLANGE  
TROY, PA. END • SINGLE WEDGE

REPLACES DWG. NO. E-3306 BY E.M. 7-19-40

A-2520-6 E-3306