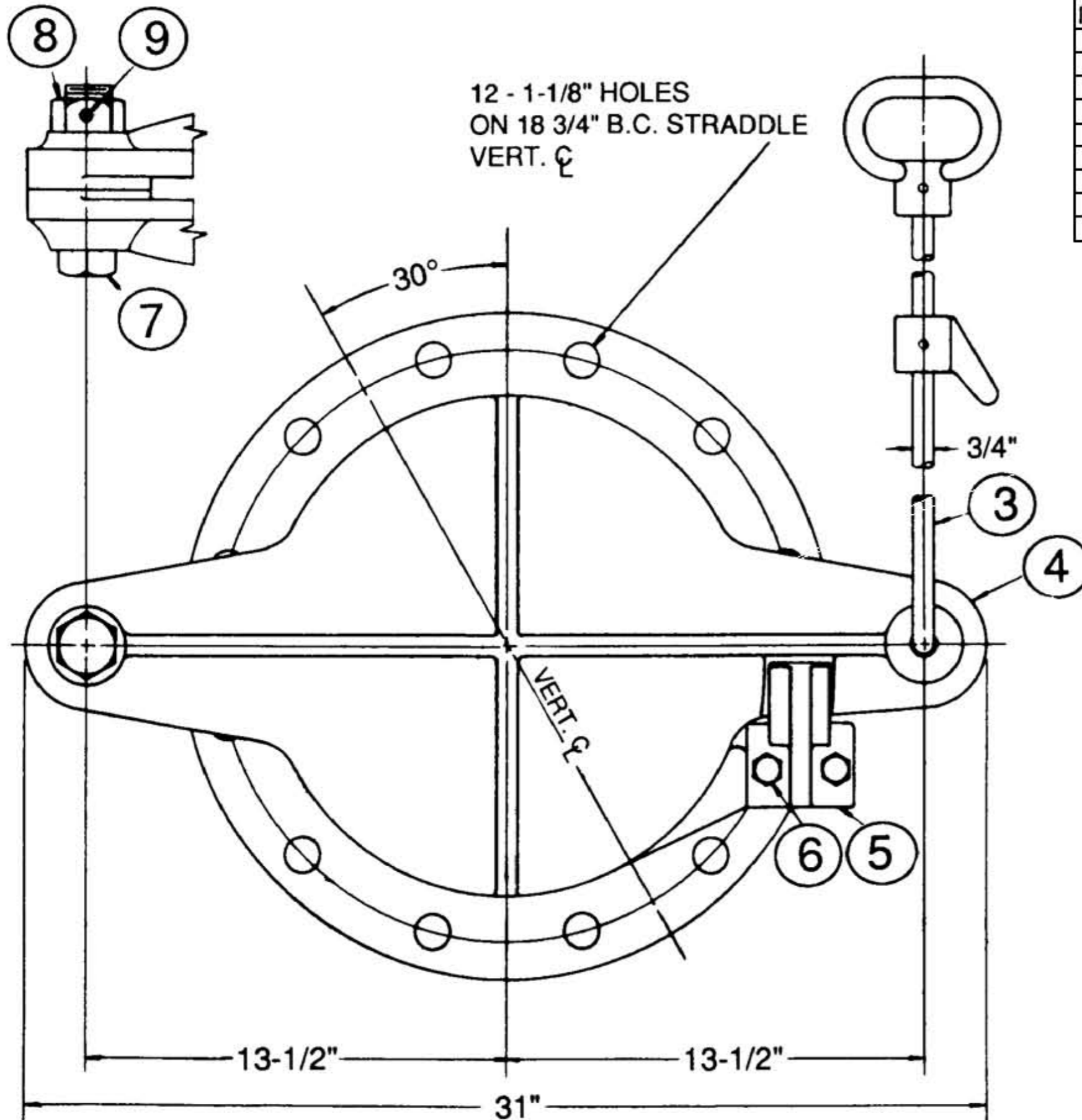
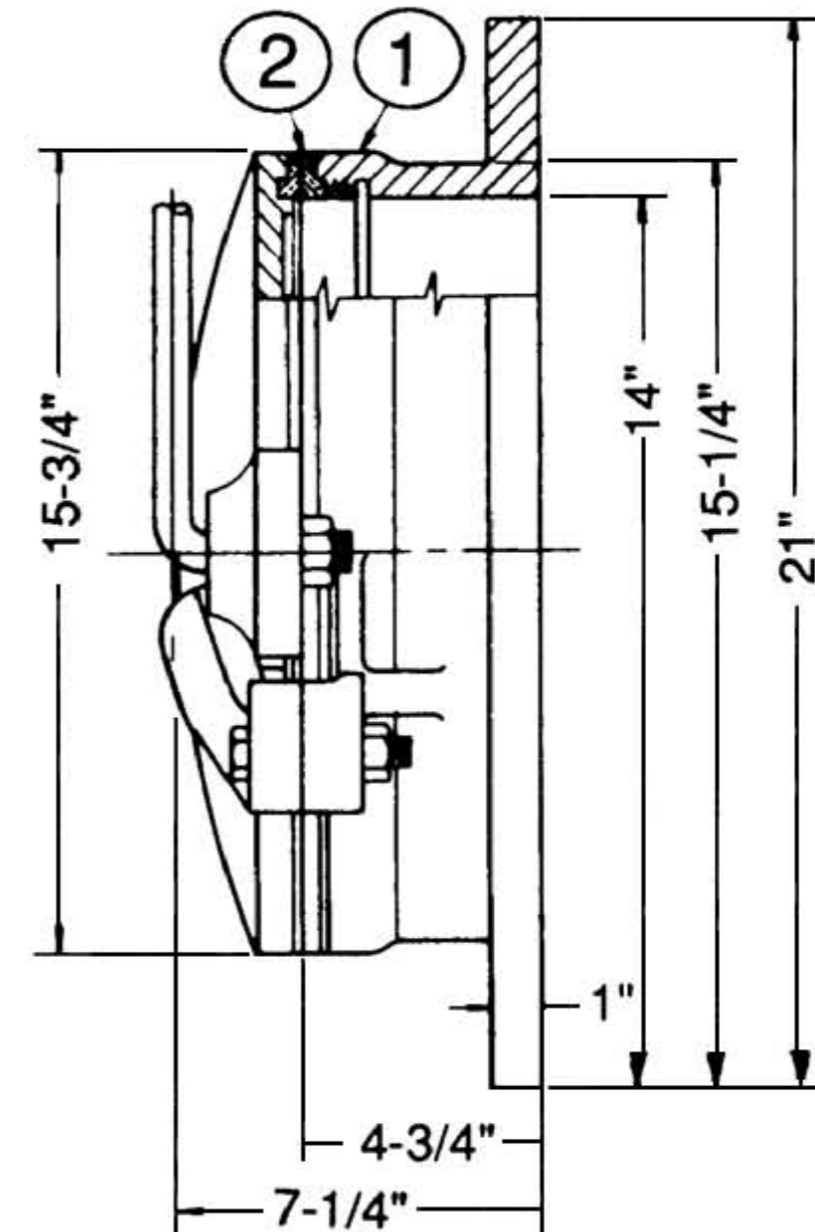


DWG. NO. E-3353 14" A-2520-6 SHEAR GATE - FLANGE END - SINGLE WEDGE



PARTS LIST					
ITEM	DESCRIPTION	REQ'D	MATERIAL	ASTM	
1	BODY	1	CAST IRON	A126	CL. B
2	SEAT RING	1	BRONZE	B 62	
3	LIFT HANDLE	1	STEEL	A107	GR. III5
4	DISC W/BR. DISC RING	1	CAST IRON	A126	CL. B
5	RIGHT HAND WEDGE	1	CAST IRON	A126	CL. B
6	WEDGE NUT	2	STEEL		ASA B1&2
7	HINGE BOLT	1	BRONZE	B 62	
8	HINGE BOLT NUT	1	BRONZE	B 62	
9	SET SCREW	1	STEEL		PLATED



T.R.J. 7-1-65  
E.R. 8-13-65  
RLR 6-8-66  
ZFR 6-8-66

FURNISHED WITH TWO FOOT LIFT  
HANDLE AND CATCH (A-25215)  
LONGER LIFT HANDLE  
FURNISHED WHEN SPECIFIED

REPLACES DWG. NO. E-3353 BY M.L.O. 7-20-51

**TROY VALVE**  
TROY, PA.

14" SHEAR GATE • FLANGE  
END • SINGLE WEDGE  
A-2520-6

E-3353