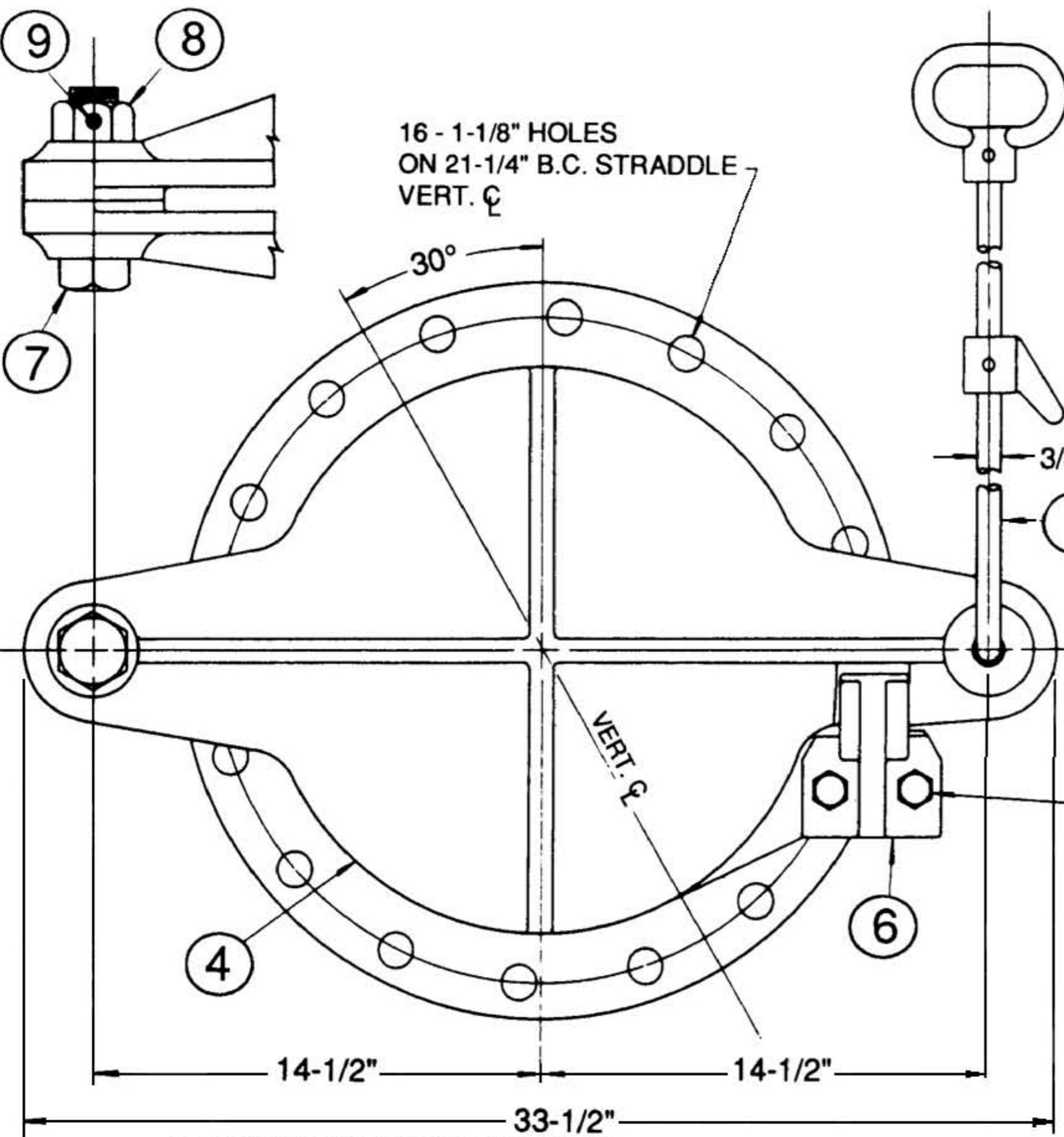
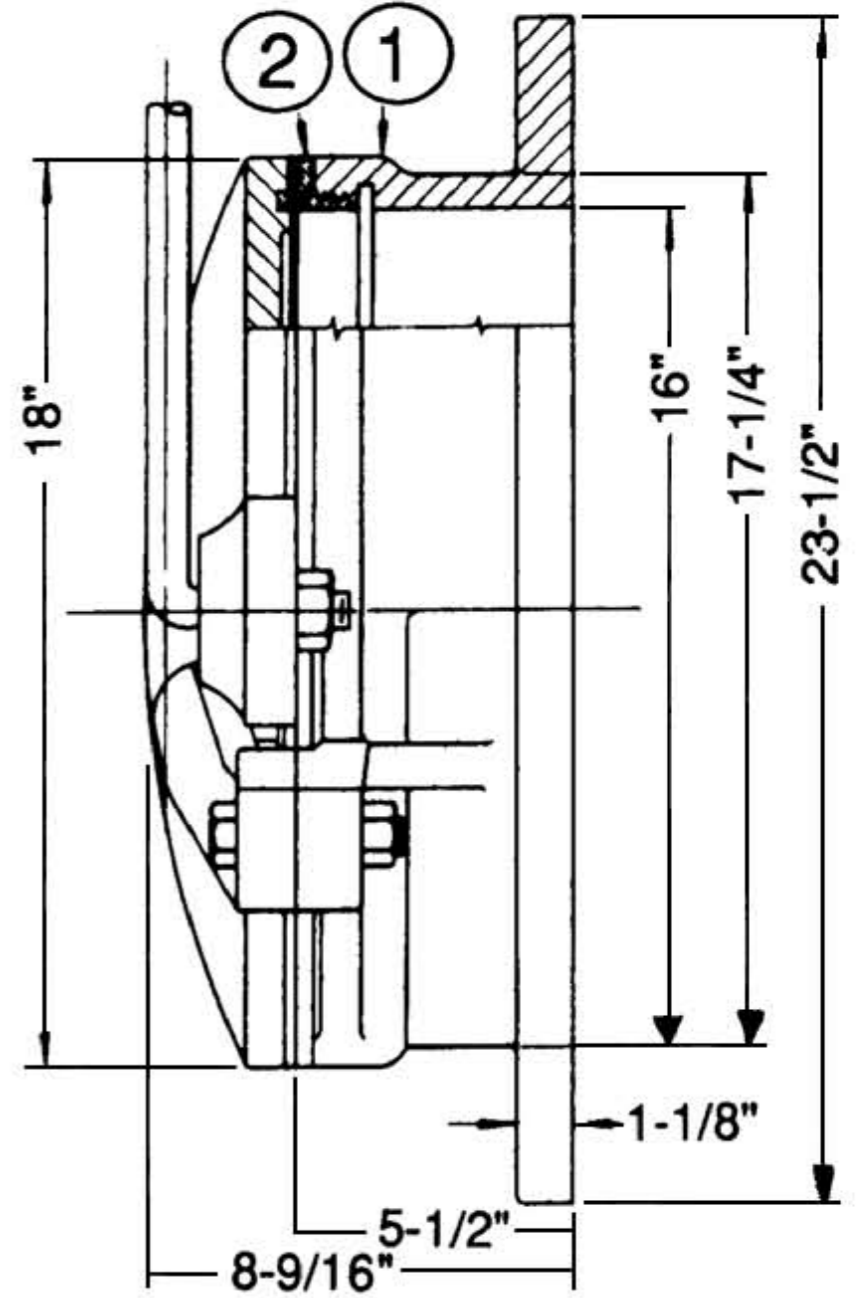


DWG. NO. E-3355 16" A-2520-6 SHEAR GATE - FLANGE END - SINGLE WEDGE



PARTS LIST					
ITEM	DESCRIPTION	REQ'D	MATERIAL	ASTM	
1	BODY	1	CAST IRON	A126	CL. B
2	SEAT RING	1	BRONZE	B 62	
3	LIFT HANDLE	1	STEEL	A107	GR. III5
4	DISC W/BR. DISC RING	1	CAST IRON	A126	CL. B
5	WEDGE BOLT	2	STEEL		ASA B18.2
6	RIGHT HAND WEDGE	1	CAST IRON	A126	CL. B
7	HINGE BOLT	1	BRONZE	B 62	
8	HINGE BOLT NUT	1	BRONZE	B 62	
9	SET SCREW	1	STEEL		PLATED



FURNISHED WITH TWO FOOT LIFT HANDLE AND CATCH (A-25215)
LONGER LIFT HANDLE FURNISHED WHEN SPECIFIED

REPLACES DWG. NO. E-3355 BY J.D.K. 8-7-57

ELLIS 7-2-65
ORTON 6-7-66
RLR 6-8-66
ZFR 6-8-66

TROY VALVE
TROY, PA.

16" SHEAR GATE • FLANGE END • SINGLE WEDGE
A-2520-6

E-3355