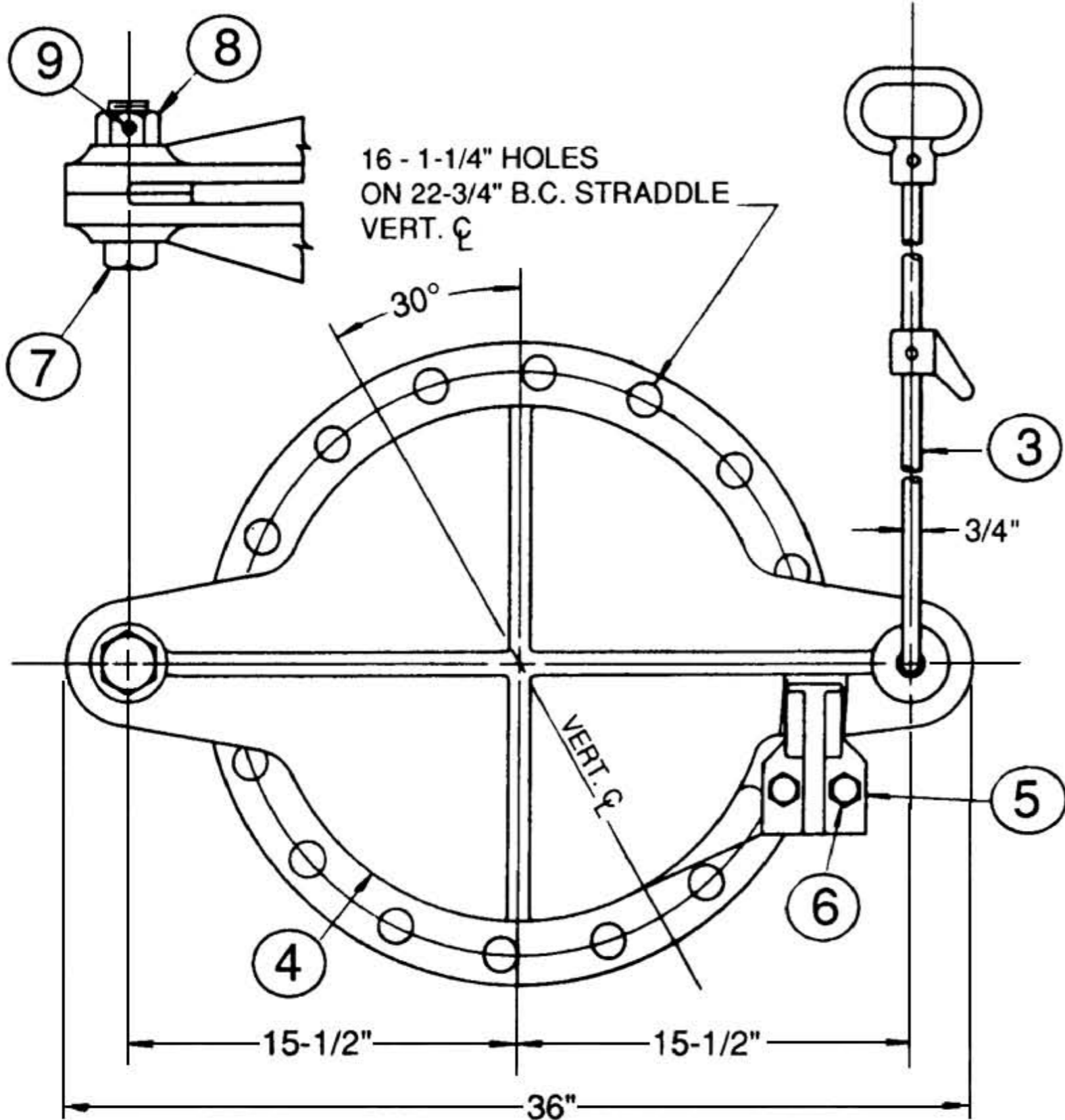
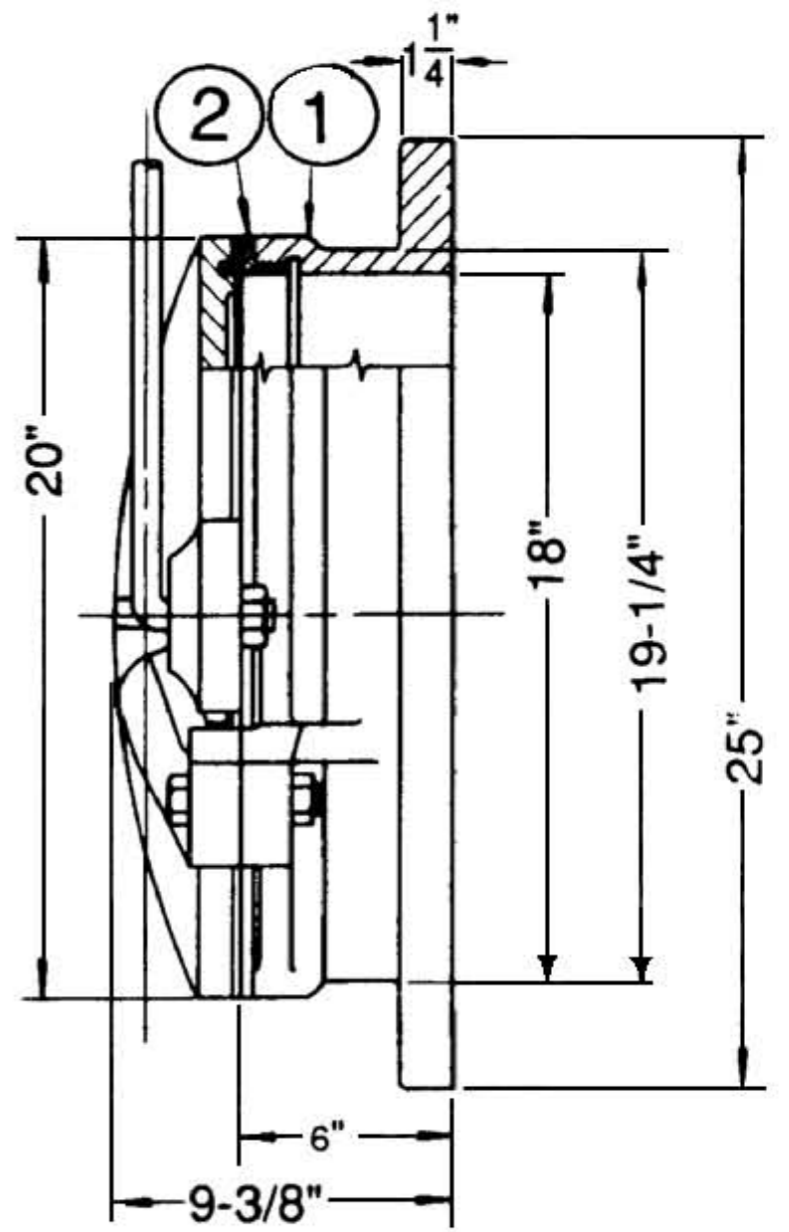


DWG. NO. E-3417 18" A-2520-6 SHEAR GATE - FLANGE END - SINGLE WEDGE



FURNISHED WITH TWO FOOT LIFT
HANDLE AND CATCH (A-25215)
LONGER LIFT HANDLE
FURNISHED WHEN SPECIFIED

PARTS LIST					
ITEM	DESCRIPTION	REQ'D	MATERIAL	ASTM	
1	BODY	1	CAST IRON	A126	CL. B
2	SEAT RING	1	BRONZE	B62	
3	LIFT HANDLE	1	STEEL	A107	GR. III5
4	DISC W/BR. DISC RING	1	CAST IRON	A126	CL. B
5	RIGHT HAND WEDGE	1	CAST IRON	A126	CL. B
6	WEDGE NUT	2	STEEL		ASA B18.2
7	HINGE BOLT	1	BRONZE	B62	
8	HINGE BOLT NUT	1	BRONZE	B62	
9	SET SCREW	1	STEEL		PLATED



ELLIS 7-6-65
ORTON 6-7-66
RLR 6-8-66
ZFR 6-8-66

TROY VALVE
TROY, PA.

18" SHEAR GATE • FLANGE
END • SINGLE WEDGE
A-2520-6

REPLACES DWG. NO. E-3417 BY M.L.O. 8-15-50

E-3417