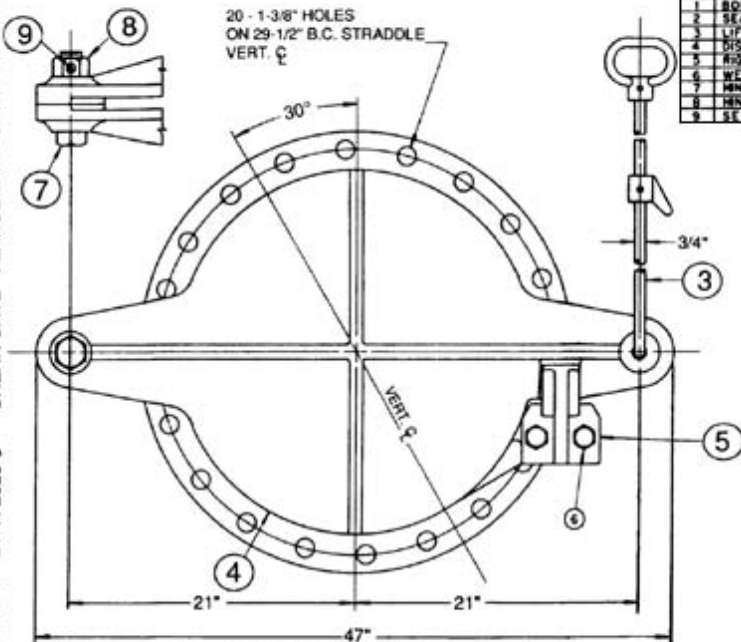


DWG. NO. E-3311 24" A-2520-6 SHEAR GATE - FLANGE END - SINGLE WEDGE

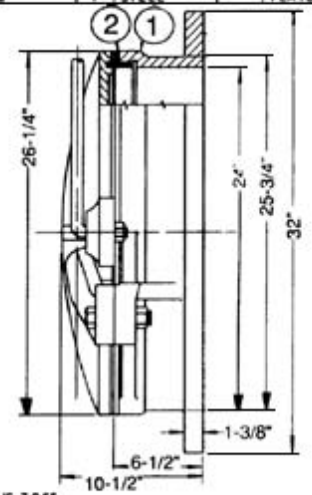


20 - 1-3/8" HOLES
ON 29-1/2" B.C. STRADDLE
VERT. C

FURNISHED WITH TWO FOOT LIFT
HANDLE AND CATCH (A-25215)
LONGER LIFT HANDLE
FURNISHED WHEN SPECIFIED

REPLACES DWG. NO. E-3311 BY J.D.K. 7-26-56

PARTS LIST				
ITEM	DESCRIPTION	REQD	MATERIAL	ASTM
1	BODY	1	CAST IRON	A126 CL B
2	SEAT RING	1	BRONZE	B62
3	LIFT HANDLE	1	STEEL	A107 GR 105
4	DISC W/BL DISC RING	1	CAST IRON	A126 CL B
5	RIGHT HAND WEDGE	1	CAST IRON	A126 CL B
6	WEDGE BOLT	2	STEEL	ASA B18.2
7	HINGE BOLT	1	BRONZE	B62
8	HINGE BOLT NUT	1	BRONZE	B62
9	SET SCREW	1	STEEL	PLATED



ELLIS 7-9-65
ONTON 6-8-66
D.L. R 6-8-66
Z/R 8-8-66

TROY VALVE
TROY, PA.
24" SHEAR GATE - FLANGE
END - SINGLE WEDGE
A-2520-6 E-3311