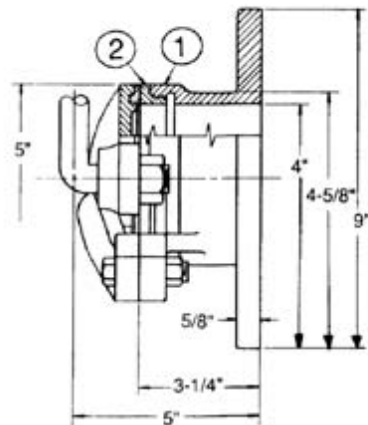
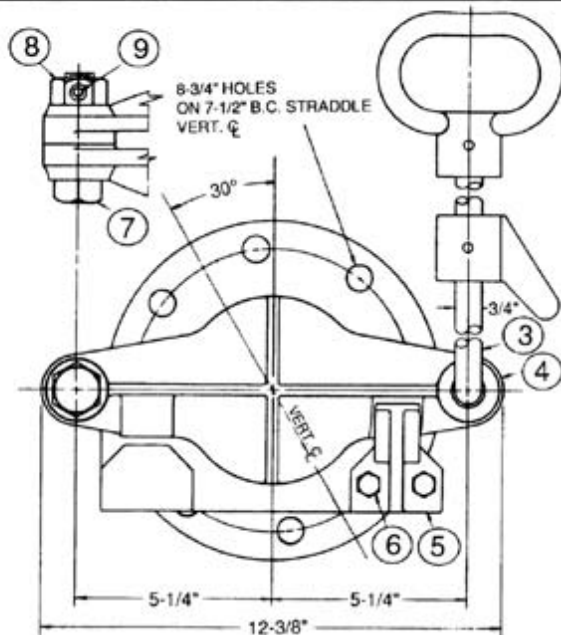


PARTS LIST					
ITEM	DESCRIPTION	REQ'D	MATERIAL	ASTM	
1	BODY	1	CAST IRON	A126	CL B
2	SEAT RING	1	BRONZE	B 62	
3	LIFT HANDLE	1	STEEL	A107	GR. 115
4	DISC W/BR DISC RING	1	CAST IRON	A126	CL B
5	RIGHT HAND WEDGE	1	CAST IRON	A126	CL B
6	WEDGE BOLT	2	STEEL		ASA B18.2
7	HINGE BOLT	2	BRONZE	B 62	
8	HINGE BOLT NUT	2	BRONZE	B 62	
9	SET SCREW	1	STEEL		PLATED



FURNISHED WITH TWO FOOT LIFT
HANDLE AND CATCH (A-25215)

LONGER LIFT HANDLE
FURNISHED WHEN SPECIFIED

4" • SHEAR GATE • FLANGE
END • SINGLE WEDGE

REPLACES DWG. NO. E-3339 BY J.W.W. 4-19-48

A-2520-6

E-3339