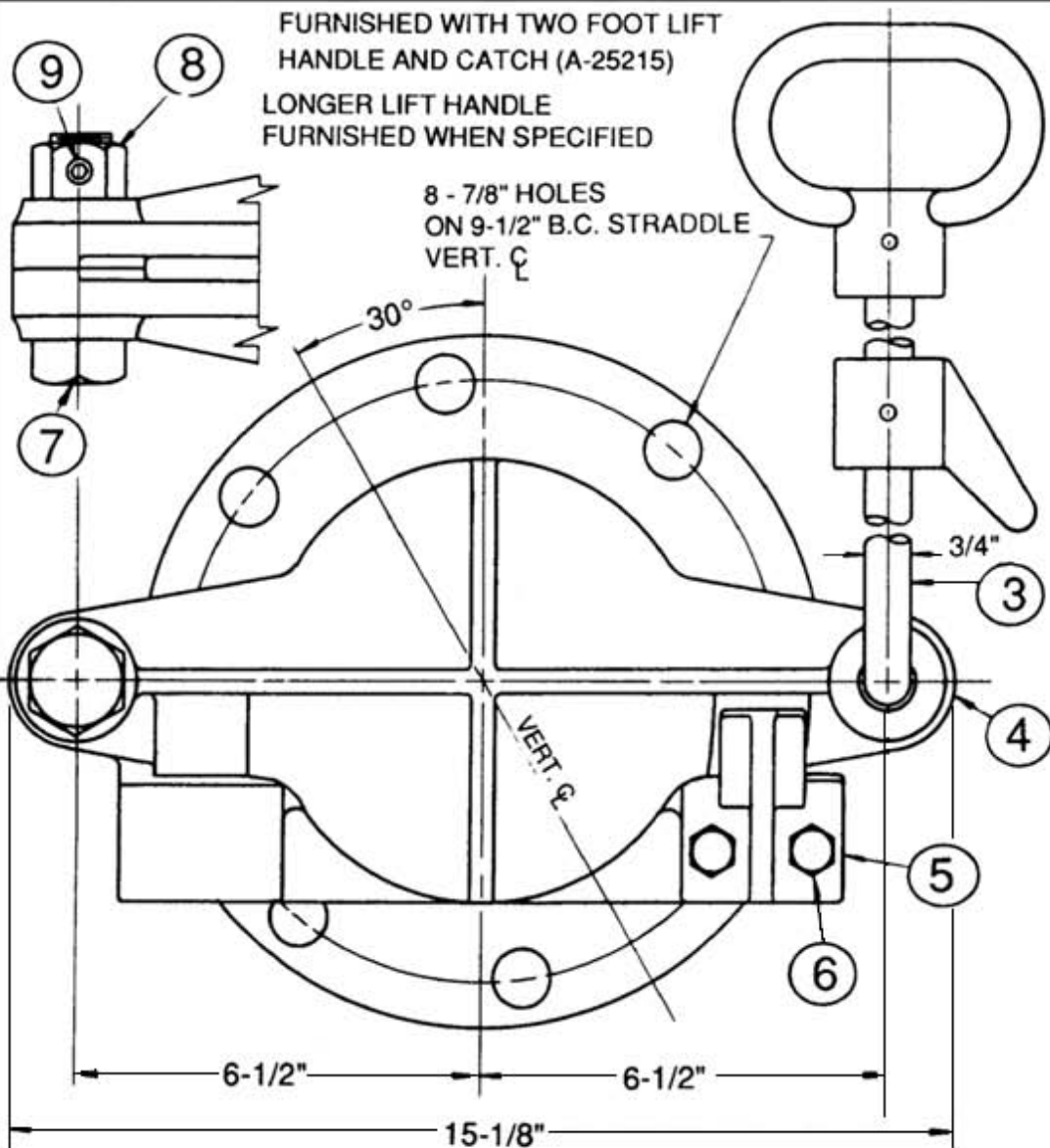


FURNISHED WITH TWO FOOT LIFT
HANDLE AND CATCH (A-25215)

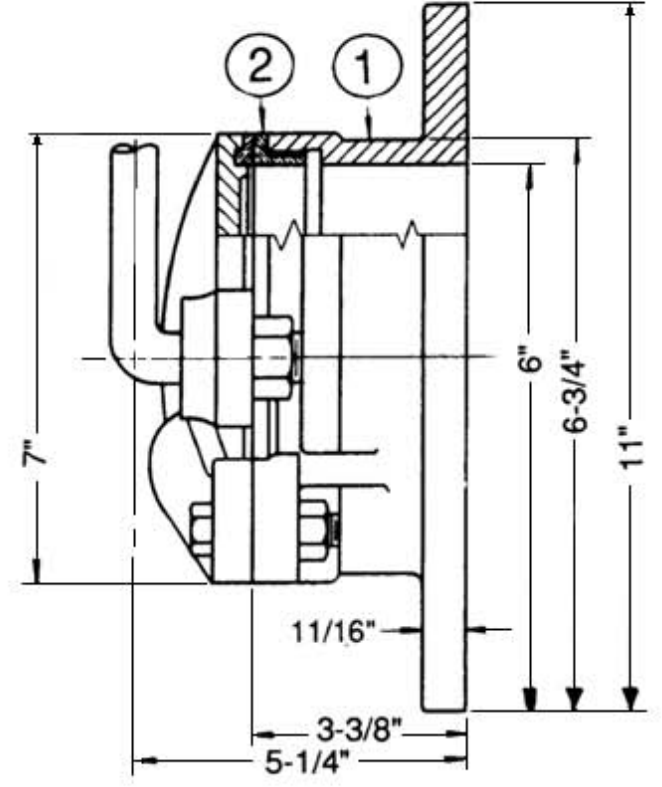
LONGER LIFT HANDLE
FURNISHED WHEN SPECIFIED

8 - 7/8" HOLES
ON 9-1/2" B.C. STRADDLE
VERT. C



PARTS LIST

ITEM	DESCRIPTION	REQ'D	MATERIAL	ASTM	
1	BODY	1	CAST IRON	A126	CL B
2	SEAT RING	1	BRONZE	B 62	
3	LIFT HANDLE	1	STEEL	A107	GR. III15
4	DISC W/BR DISC RING	1	CAST IRON	A126	CL.B
5	RIGHT HAND WEDGE	1	CAST IRON	A126	CL.B
6	WEDGE BOLT	2	STEEL		ASA B18.2
7	HINGE BOLT	1	BRONZE	B 62	
8	HINGE BOLT NUT	1	BRONZE	B 62	
9	SET SCREW	1	STEEL		PLATED



6" SHEAR GATE • FLANGE
END • SINGLE WEDGE
A-2522-6

E-3310

REPLACES DWG. NO. E-3310 BY H.N.H. 5-15-42