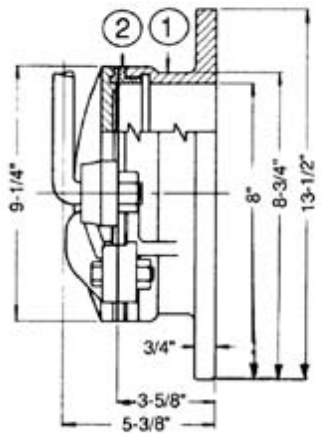


PARTS LIST					
ITEM	DESCRIPTION	REQ'D	MATERIAL	ASTM	
1	BODY	1	CAST IRON	A126	CL B
2	SEAT RING	1	BRONZE	B62	
3	LIFT HANDLE	1	STEEL	A107	GR-1115
4	DISC W/ BR DISC RING	1	CAST IRON	A126	CL B
5	RIGHT HAND WEDGE	1	CAST IRON	A126	CL B
6	WEDGE BOLT	2	STEEL		ASA B182
7	HINGE BOLT	1	BRONZE	B62	
8	HINGE BOLT NUT	1	BRONZE	B62	
9	SET SCREW	1	STEEL		PLATED



8" SHEAR GATE - FLANGE END - SINGLE WEDGE
 A-2520-6