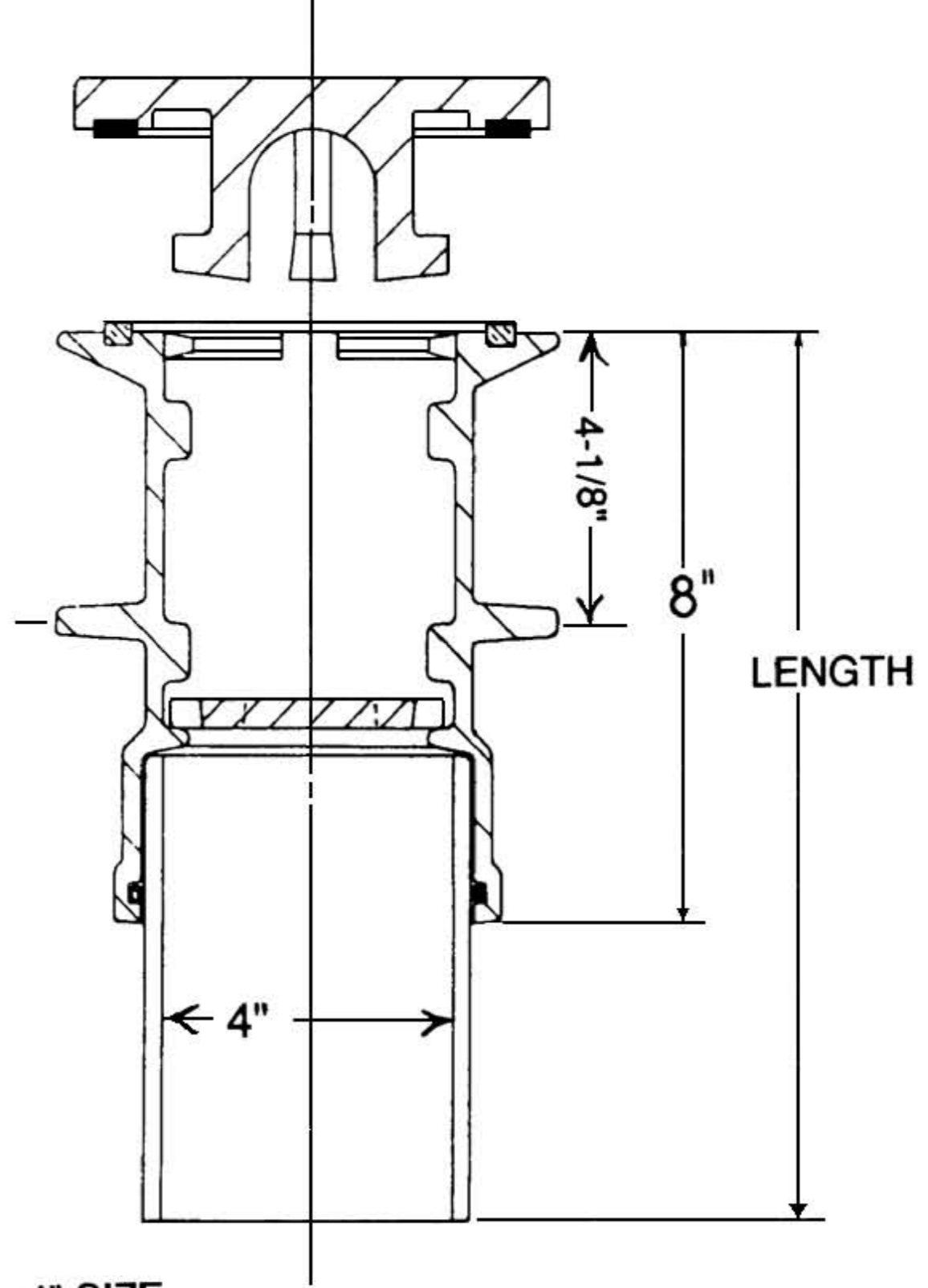


6" SIZE



4" SIZE

ITEM	DESCRIPTION	MATERIAL	
1	COVER	CAST IRON	A126B
2	SEAL	NEOPRENE	60 DUR.
3	SEAT	BRONZE	SAE660
4	BODY	CAST IRON	A126B
5	EXTENSION	P.V.C.	C900
6	"O"-RING	BUNA-N	60 DUR.
7	GRATE	CAST IRON	A126B

A2550RSN

NOTE:
 #6, P.V.C. PIPE IS NOT SUPPLIED ON 8" LENGTH
 #3, BRONZE SEAT IS PRESSED & SEALED INTO GROOVE.
 #7, GRATE SHOWN 45° OUT OF POSITION, SLOTS LINE UP W/ RIBS TO ASSEMBLE ONLY

TROY VALVE

Penn-Troy Machine Company Inc. Troy, PA 16947	
DATE: 3-21-91	BY: [Signature]
Floor Relief Valve Assy.	
TROY VALVE	