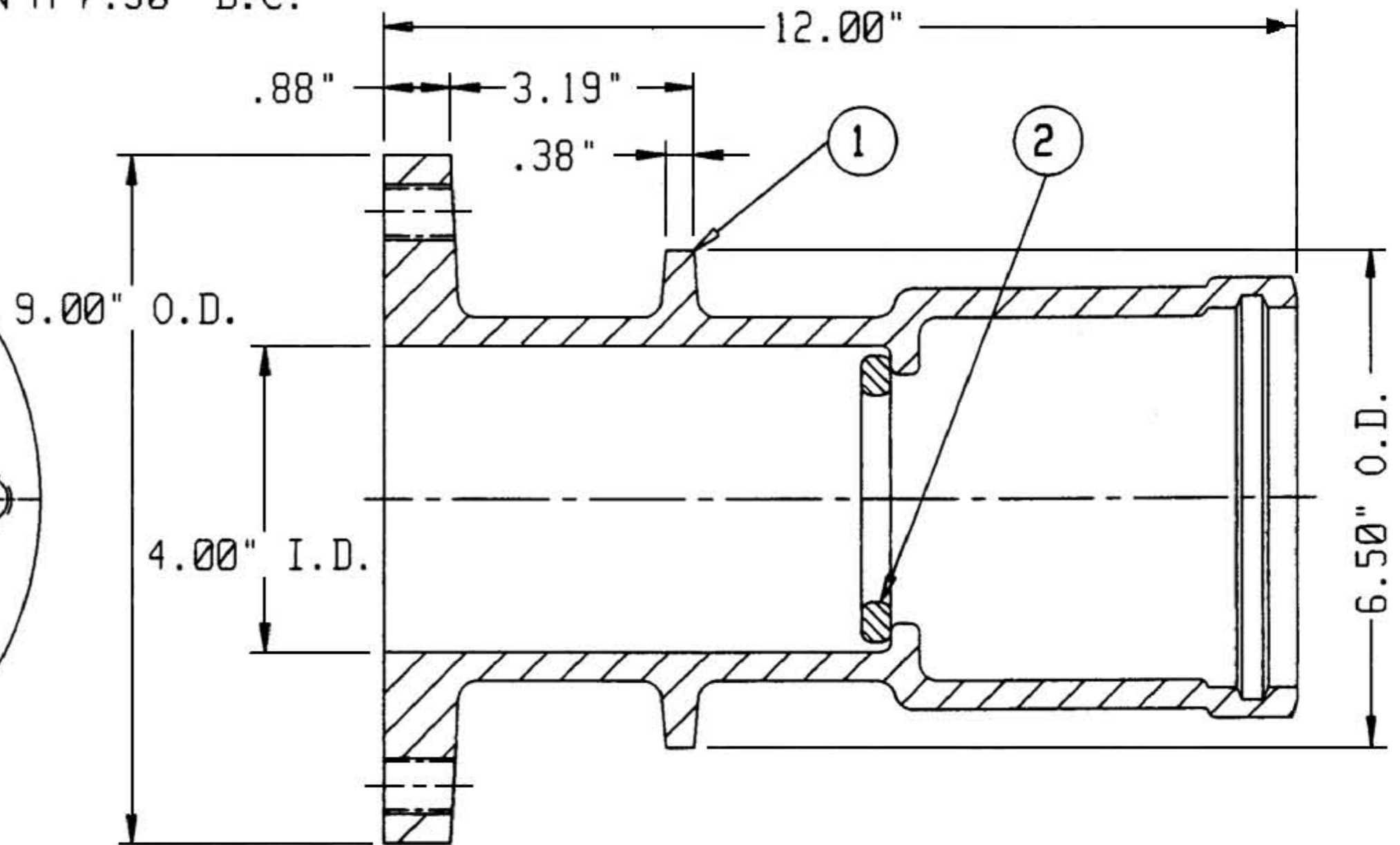
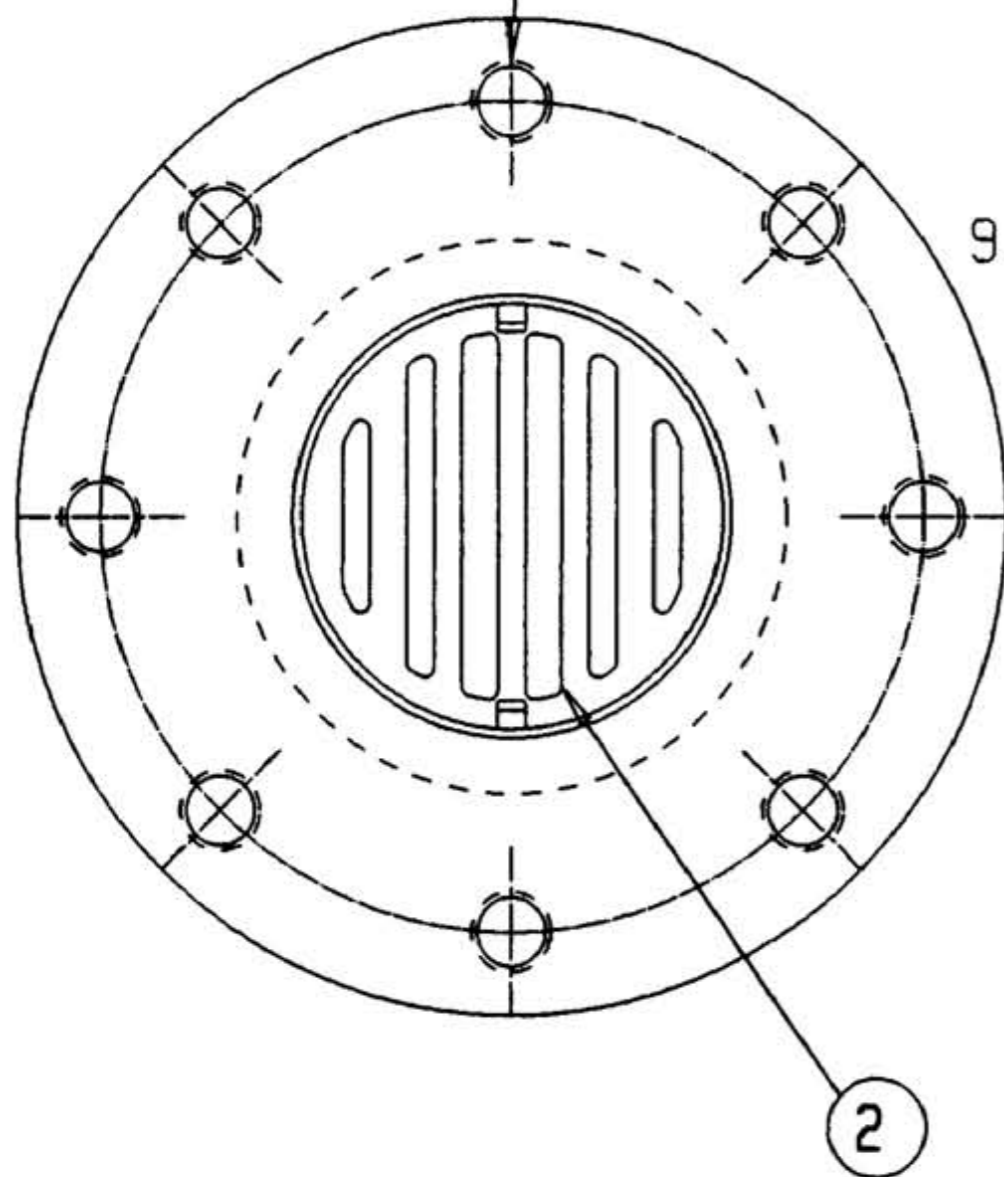


# PART LIST

ITEM	DESCRIPTION	REQUIRED	MATERIAL
1	WALL THIMBLE	1	CAST IRON A126B
2	GRATING	1	CAST IRON A126B

5/8"-11UNC TAP THRU,  
LOCATED ON A 7.50" B.C.  
(8) REQ'D



CAN BE EXTENDED TO ANY LENGTH BY  
USING C900 PVC

TITLE  
WALL THIMBLE W/ REMOVABLE GRATE, SIZE 4"

**TROY VALVE**  
TROY, PA

NUMBER  
191001