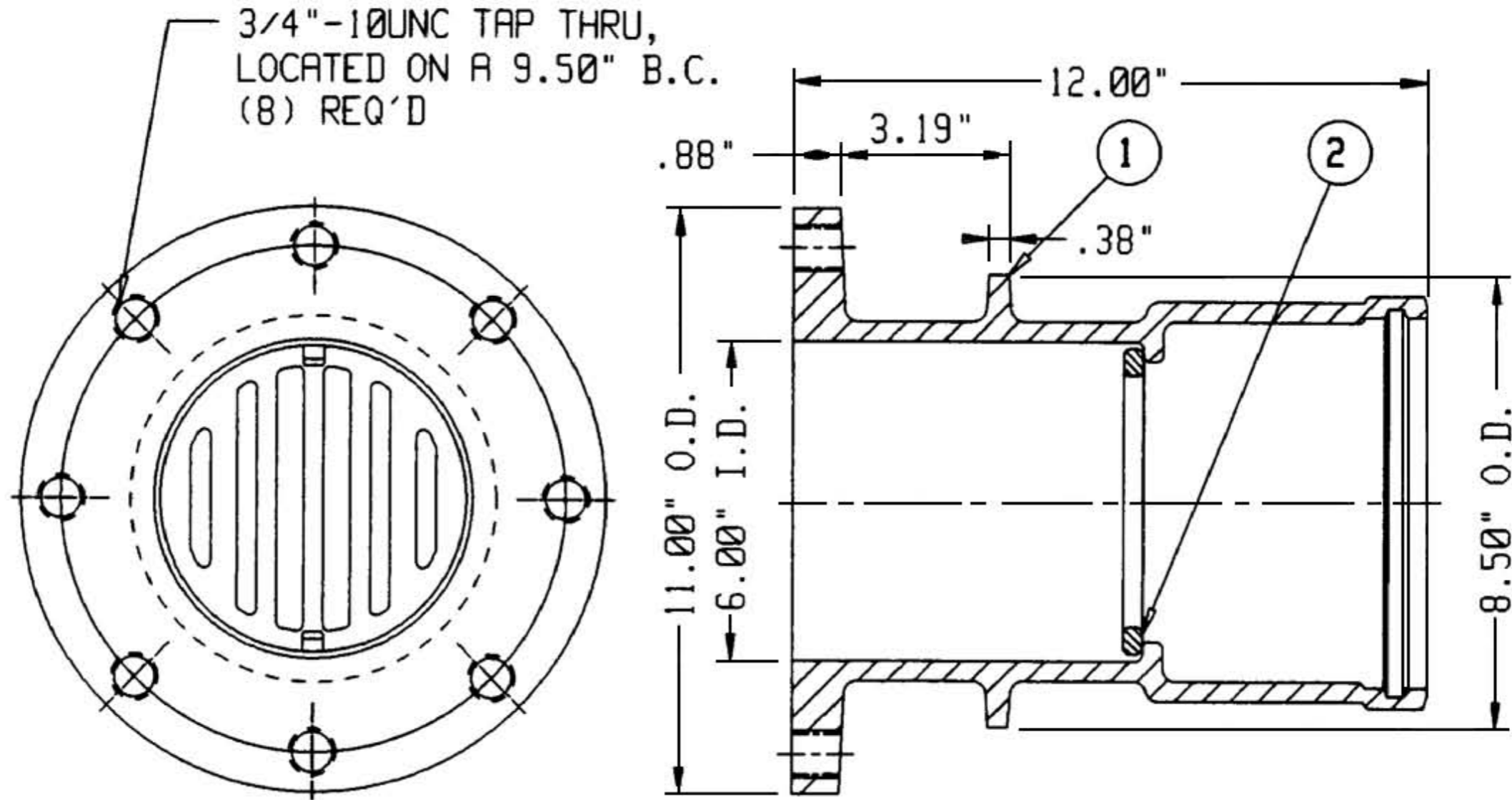


# PART LIST

ITEM	DESCRIPTION	REQUIRED	MATERIAL
1	WALL THIMBLE	1	CAST IRON A126B
2	GRATING	1	CAST IRON A126B



CAN BE EXTENDED TO ANY LENGTH BY  
USING C900 PVC

TITLE WALL THIMBLE W/ REMOVABLE GRATE, SIZE 6"	
TROY VALVE TROY, PA	NUMBER 192001