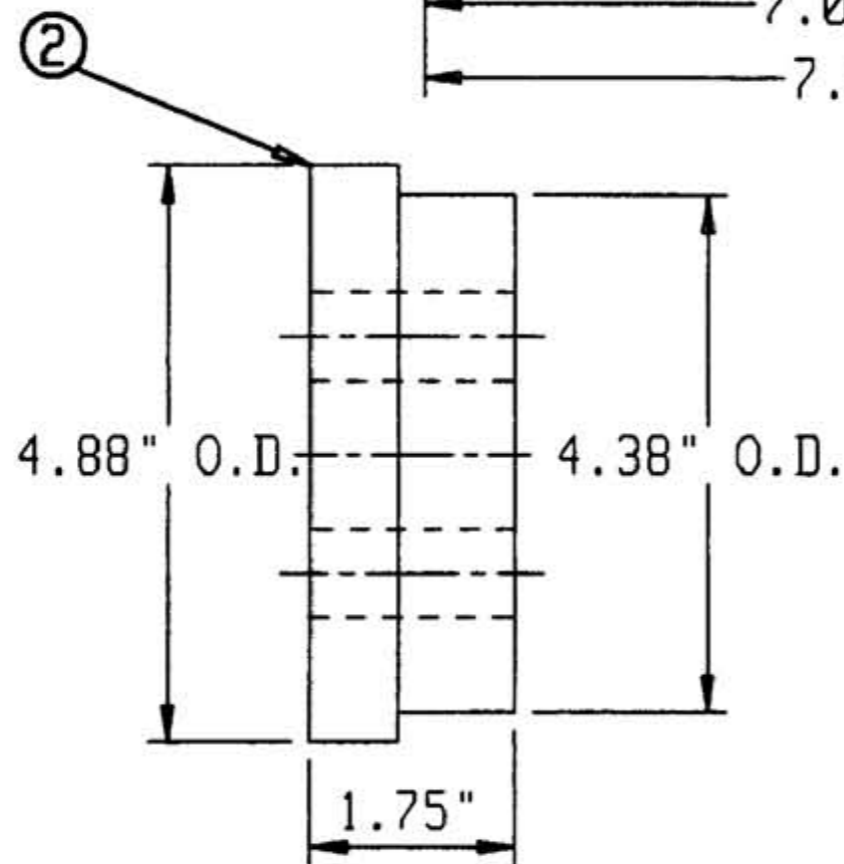
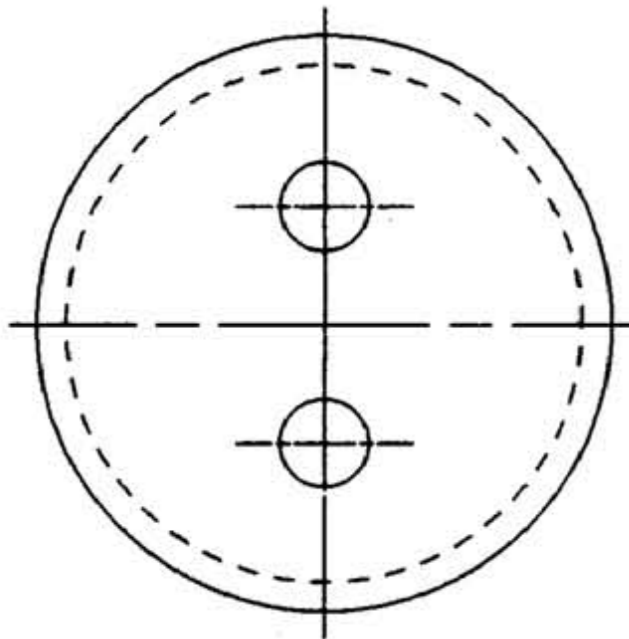
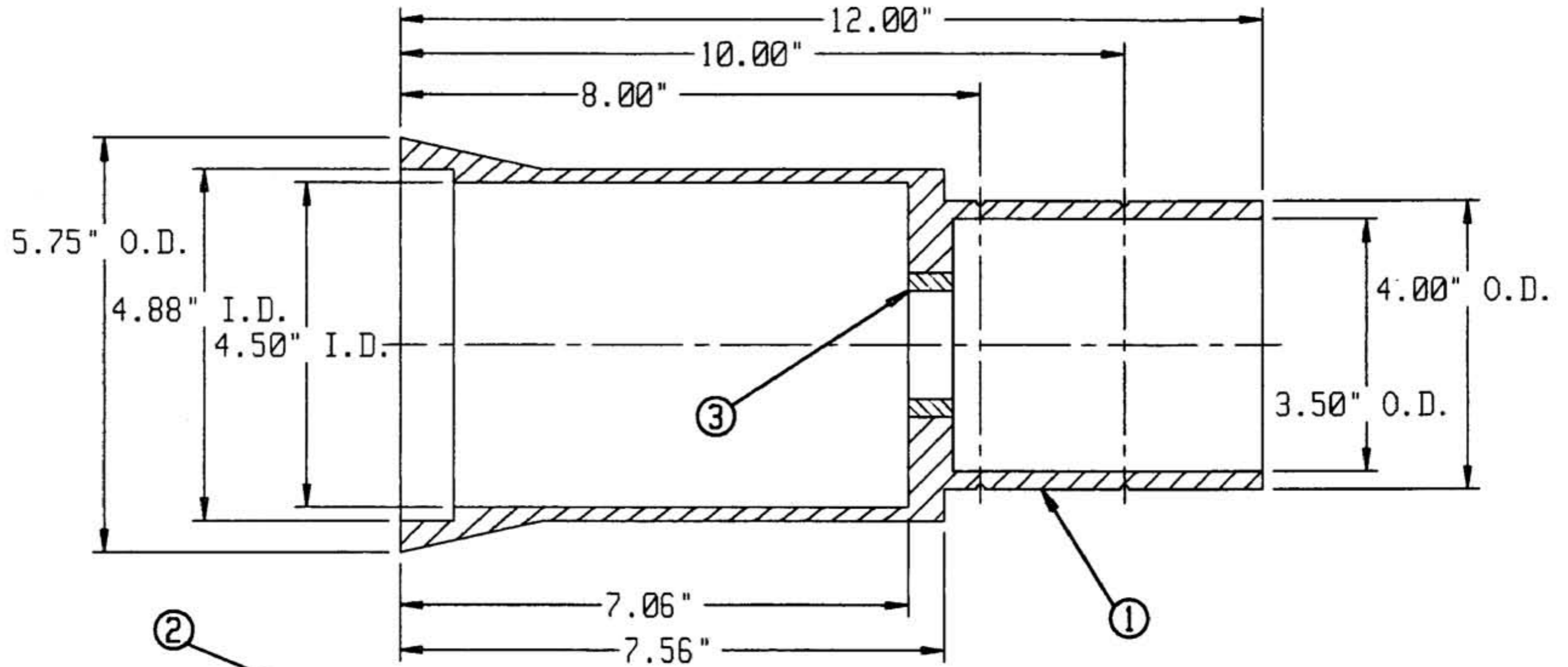


PART LIST

ITEM	DESCRIPTION	REQUIRED	MATERIAL
1	BODY	1	CAST IRON A126B
2	COVER	1	CAST IRON A126B
3	BUSHING	1	BRASS CDA360



TITLE FLOOR BOX AND COVER	
TROY VALVE TROY, PA	NUMBER A25700-B