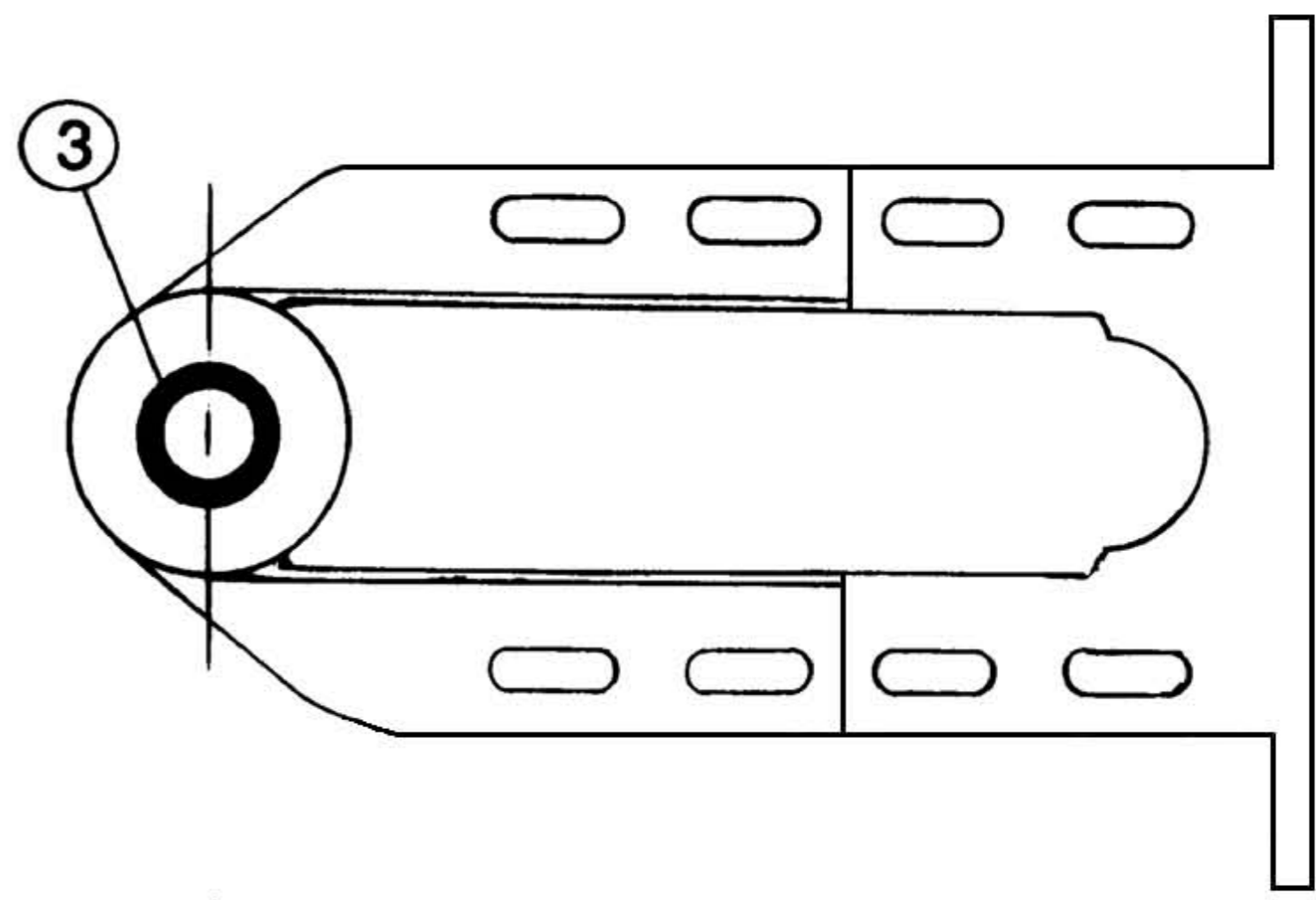
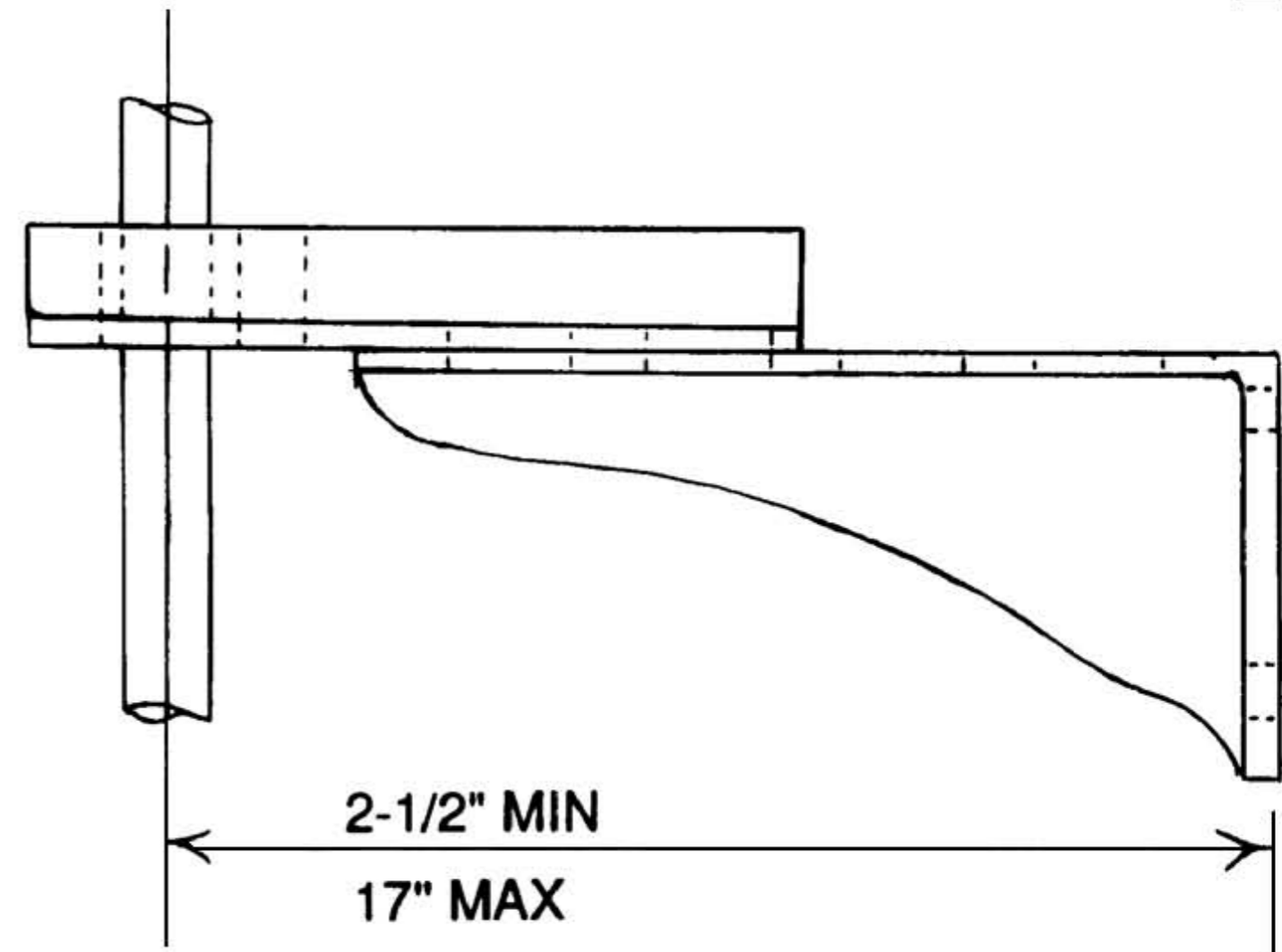
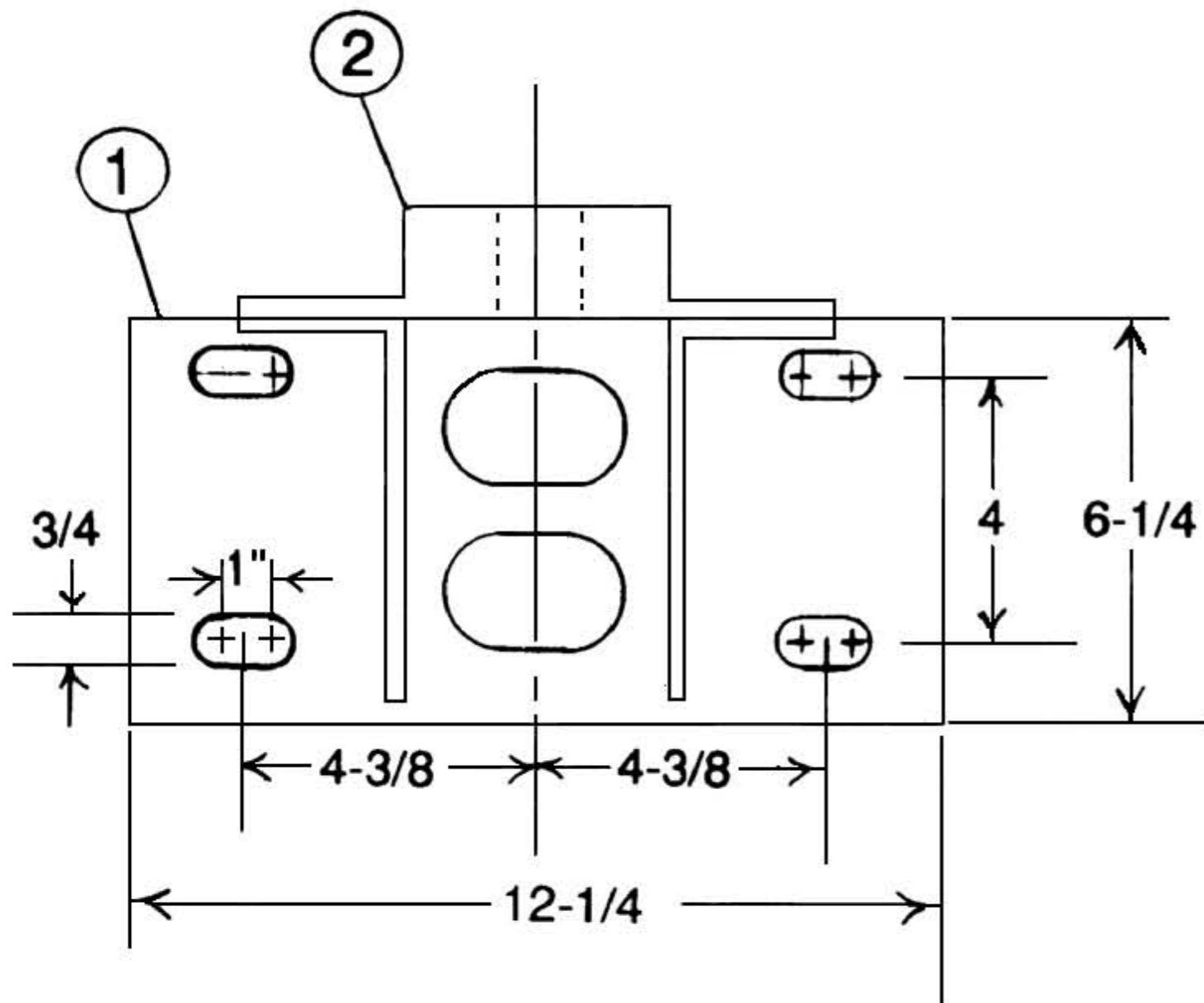


ITEM	DESCRIPTION	QTY.	MATL.
1	BRACKET	1	DUCTILE IRON 65.45.12 MIN.
2	GUIDE	1	"
3	BUSHING	1	BRASS CDA 360
	ASSEMBLY BOLTS & NUTS	4 ea.	PLATED STEEL



WALL MOUNTING STUDS BY OTHERS
ESTIMATED SHIPPING WEIGHT 28 #



A25680S

TROY VALVE

TROY, PENNSYLVANIA 18947